



HUILI力

Huili Capsule

▪ 浙江汇力胶囊有限公司 ▪
ZHEJIANG HUILI CAPSULE CO.,LTD

HUILI CAPSULE
ZHEJIANG HUILI CAPSULE CO.,LTD



**Integrity is paramount
and content is magnificent**
诚信至上 有容乃大

CORPORATE PROFILE 公司简介



Cooperation is the source of efforts, Innovation is the sustaining theme
Quality is the unchangeable pursuit, Development is the continuous goal.

协作是奋斗的源泉，创新是恒久的主题，品质是不变的追求，发展是前进的目标

浙江汇力胶囊有限公司座落于风景如画的江南旅游胜地新昌县儒岙镇胶囊产业化基地，已取得中华人民共和国药品生产许可证和国家食品药品监督管理局批件，证号：浙 J20050290，批准文号：国药准字 F20060002，2006 年 7 月已通过质量管理体系认证 (ISO9001:2000)。公司总占地面积 16081 平方米，总建筑面积 6500 平方米，生产车间 4800 平方米，净化达到 10 万级净化标准。总投资 3000 万元，安装空心胶囊生产线 12 条，年生产能力 30 亿粒，年产值 3000 万元，创利税 250 万元，具有与生产规模相适应的检验设备和仓储面积。

Zhejiang Huili Capsule Co.,Ltd is located in the Ruao Capsule Industrial Base of the beautiful scenic city of Xinchang. Huili has obtained the medicine production permission of PRC and the license of State Food and Drug Supervision Agency with certificate NO.Zhejiang J20050290, the approval paper NO. National Medicine F20060002. In July 2006, Huili passed ISO 9001:2000 quality management system. The Company has the area of 16081m², total architecture area of 6500 m², production workshop of 4800 m². The purification is 100000 degree standard. The total investment is RMB 30 million yuan. There are 12 hollow capsule production lines with annual capacity of 3 billion pieces and annual revenue of RMB 30 million yuan. The annual profit and tax are RMB 2.5 million yuan. It has the test facilities and warehouse area compatible with the production scale.

生产的空心胶囊有 00#、0#、1#、2#、3#、4#，不同颜色不同的规格具有高档次质量产品，并配有先进的印字设备，可根据客户的需求对胶囊进行完美的印字。

The hollow capsules include 00#, 0#, 1#, 2#, 3# and 4# with different colors and levels. They are of high-quality and equipped with word-printing facilities. The words can be printed onto the capsules according to customers' different requirements.



HUILI
 Huili Capsule
 ZHEJIANG HUILI CAPSULE CO.,LTD



公司企业宗旨：高新技术开发力，产品质量生命力，市场竞争应变力，企业员工凝聚力。组阁医药工程类专业人才，市场营销人才，企业职工具有高中、中专以上文化程度，质量管理负责人具有中专以上文化水平及相关专业知识。本公司技术力量雄厚，严格执行《GMP》规程控制空心胶囊生产的全过程，保证产品质量，公司拥有一支高素质，精通业务的营销队伍和售后服务网络，产品畅销全国各地。

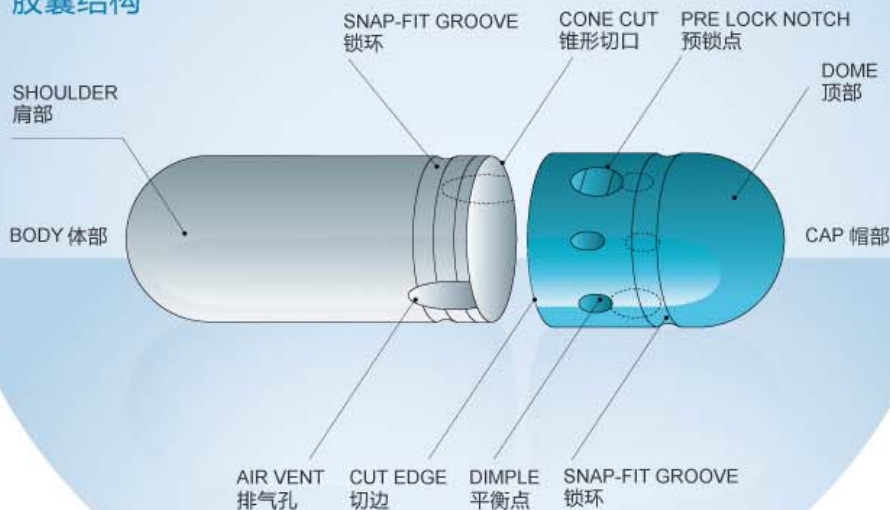
我们竭诚与海内外的医药界专家和朋友携手合作，共创胶囊制剂的庞大市场。

Corporate Philosophy: Possess high-tech research and development, high sustainable product quality, the flexible market competitiveness and response and the loyalty from corporate employees. Integrate with pharmaceutical engineering experts, marketing personnel. The production workers all hold the senior-middle-school-above or college education and quality management leadership all possess college-above education and the relevant expertise. Huili has strong technological faculty, strictly implementing GMP processes and regulations to control the whole processes of hollow capsule production to ensure the product quality. Huili possesses one high-quality team of marketing and after-sale service to enable the products to be popular nationwide.

We look forward to cooperating with pharmaceutical experts and friends domestically and overseas to create the huge market of capsules.

PRODUCTION PROCESSES

胶囊结构





PRODUCTION PROCESSES
ZHEJIANG HUILI CAPSULE CO.,LTD

HUILI CAPSULE ZHEJIANG HUILI CAPSULE CO.,LTD



PRODUCTION PROCESSES 生产流程

企业严格按照 GMP 要求,建造的生产厂房内设全封闭式中央空调,进行恒温、恒湿生产、净化生产,大大保证了产品的品质。企业还配备有先进的印字设备,可根据客户需求对胶囊进行双色、轴向、环向、环向定向印字,为企业能生产出高质量的产品打下坚实的基础。

Huili strictly complies with GMP requirements. The production factory workshops are all equipped with totally-sealed central air conditioners to undertake the production with constant temperature and humidity and hygiene to fully ensure the product quality. Huili also equips with advanced printing facilities which can accurately print double-color, axial, ring and self-chosen words according to customers' requirements to lay solid foundation for the production of high-quality products.

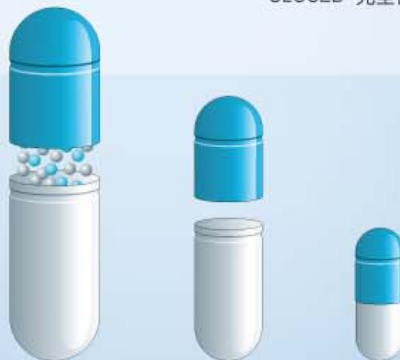
PRODUCTION PROCESSES

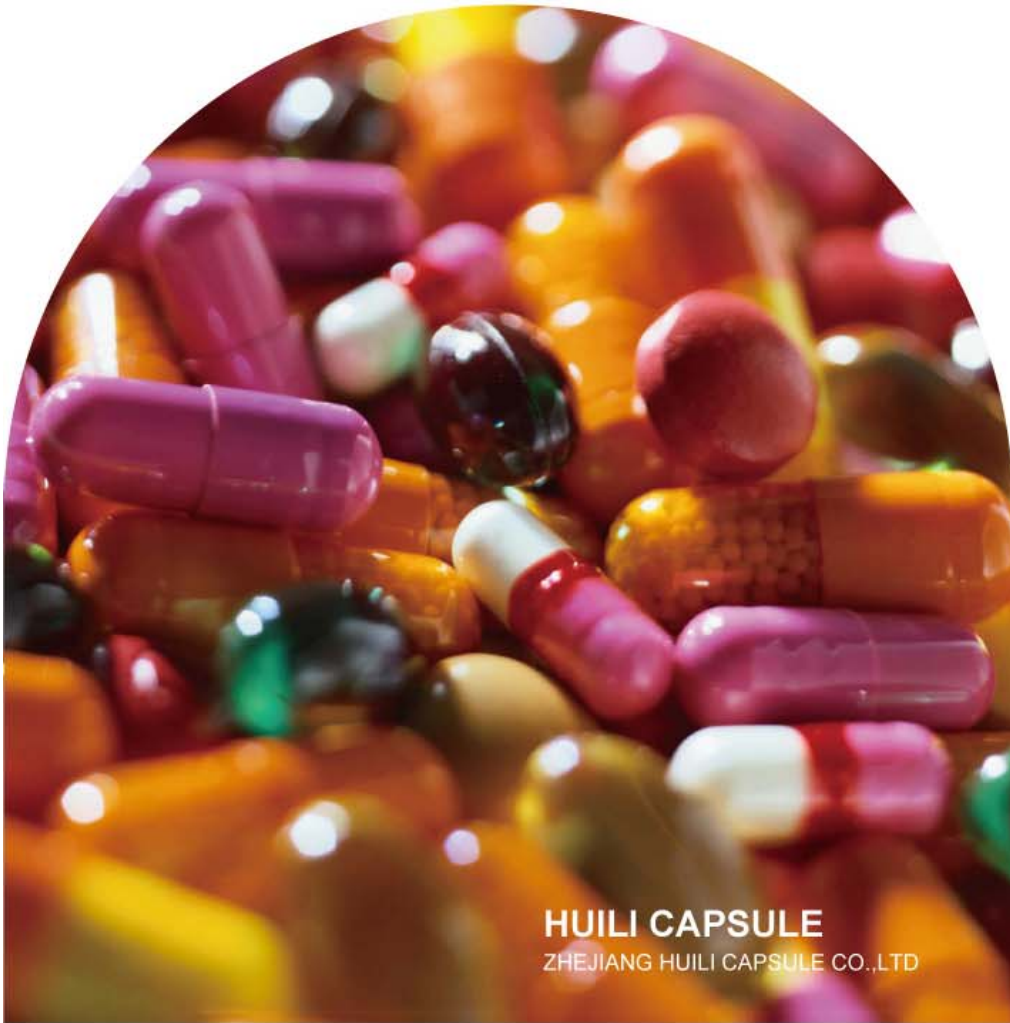


PRE-CLOSED 预锁合



CLOSED 完全锁合





HUILI CAPSULE
ZHEJIANG HUILI CAPSULE CO.,LTD

CAPSULE SERIES 胶囊系列



GELATIN CAPSULE 明胶胶囊

明胶胶囊是目前医药胶囊剂中最常用的空心胶囊，有胃溶型胶囊和肠溶型胶囊。本公司生产的空心胶囊有 00#、0#、1#、2#、3#、4#，多种颜色且具高档次质量水准，并配有先进的印字设备，可根据客户的需求对胶囊进行完美的印字。

Gelatin capsule is the most commonly used hollow medicine capsules with stomach capsules and enteric-coated capsules. Huili has the hollow capsules of 00#, 0#, 1#, 2#, 3# and 4# with numerous colors and high quality. Huili is equipped with advanced word-printing facilities for the perfect printing onto capsules according to different customers' capsules.

PLANT CAPSULE 植物胶囊

植物胶囊是用植物纤维素原料制成的空心胶囊，以满足纯天然定位和胶囊制剂解决方案的需求。植物胶囊是一种精美的、无防腐剂的纯天然剂型，它保留了所有标准的空心胶囊的优点：方便服用，有效掩盖味道和气味，内容物透明可见等，同时更有着传统明胶胶囊所没有的明胶是纯天然的蛋白质产品。

Plant capsule is the hollow capsules made of plant cellulose to meet the needs of all-natural positioning and capsules solutions. Plant capsules are delicate all-natural and preservative-free dosage form. It retains all the advantages of standard hollow capsules: easy to take, effective to mask the unpleasant taste and smell; the contents are transparent and seeable; the gelatin non-existing in the traditional capsules are natural protein products.



**HUILI
CAPSULE
CAPSULE SERIES**

ISLAMIC CAPSULE 清真胶囊

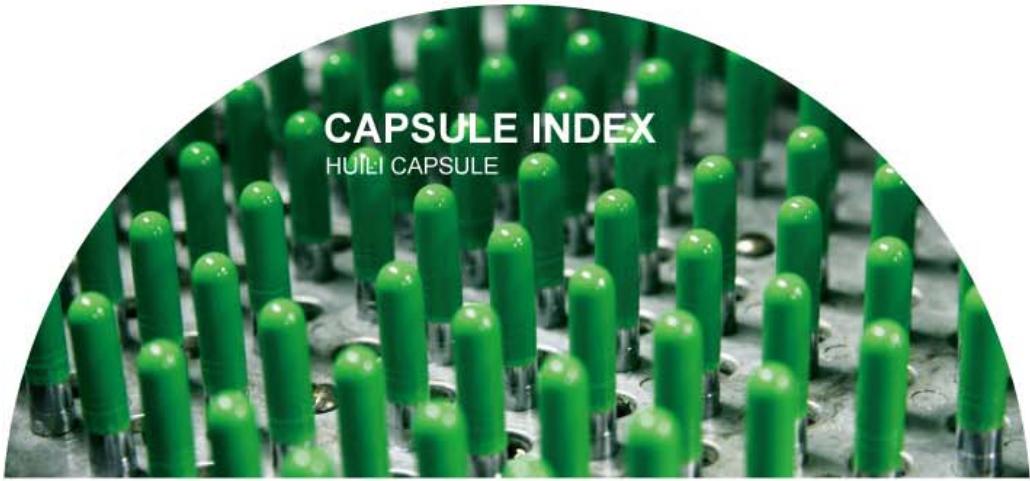
清真胶囊是以植物提取为原料的高科技产品，不受阳光、潮湿的影响，不变形、不融化。打破了没有猪皮、牛皮的成份，纯天然植物，绿色环保，对身体无害。同时还有营养成分，对糖尿病、高血压也有疗效，得到国际认证标准，在世界胶囊开发研究中国际领先，所以得到科研机构的广泛关注和高度好评。

Islamic capsule is high-tech products extracted from plants, not affected by the sun and moisture; not distortable; green; not melting. It does not contain pigskin or cowhide ingredients; it is from pure natural plant, green, being harmless to the environment and human body; it also possesses nutrition, which is effective to diabetes, high blood pressure; it passes the international certification standards and is leading in the world's capsule development, winning the wide attention and high praise from the scientific research institutions.

SAFETY CAPSULE 安全型胶囊

安全型胶囊是空心胶囊的又一代新品。这种胶囊体、帽一旦锁合后很难不经破坏而打开，能有效防止胶囊产品中替换有毒或劣质剂，因此更具安全性，被称为安全型胶囊。更有趣的是由于它外形滚圆可爱，人们又送其矮胖子胶囊的雅号。它的特点是：防止假冒，胶囊安全性更强；容易吞咽，服用顺应性更佳；独一无二的体形，彰显与众不同；更大的印字窗口，提升品牌形象。

Safety capsule is new-generation hollow capsules. This capsule, if the body and cap are locked together, it is very difficult to open without damage, which can effectively prevent the capsule from being replaced by toxic or inferior products, therefore being safe. It is known as the safety capsule. More interesting is its exterior cute round shape; thus has the nickname of stocky capsule. Its features are: preventing counterfeiting; having greater safety; easy to swallow, better taking compliance; having unique shape, highlighting difference; having greater printing window, enhancing brand image.



CAPSULE INDEX

HUILI CAPSULE

CAPSULE INDEX 胶囊参数参考表

Product Specifications Items	00#		0#		1#		2#		3#		4#		Note	
	Cap	Body	Cap	Body	Cap	Body	Cap	Body	Cap	Body	Cap	Body		
(mm) 长度 Length	11.7	20.2	11.0	18.5	9.8	16.5	9.0	15.4	8.10	13.6	7.2	12.2	Allowance±0.2	
(mm) 壁厚 Wall Thickness	0.115~ 0.128	0.100~ 0.125	0.115~ 0.128	0.100~ 0.125	0.115~ 0.125	0.090~ 0.115	0.100~ 0.125	0.095~ 0.110	0.090~ 0.110	0.085~ 0.100	0.085~ 0.105	0.080~ 0.100		
(mm) 口部外径 Outside Diameter	8.53	8.18	7.65	7.33	6.91	6.63	6.35	6.07	5.83	5.57	5.32	5.05	Allowance±0.05	
(mm) 前厚 Thickness	0.06~ 0.12	0.08~ 0.12	0.06~ 0.12	0.08~ 0.12	0.07~ 0.11	0.07~ 0.11	0.07~ 0.11	0.07~ 0.11	0.07~ 0.11	0.07~ 0.11	0.06~ 0.10	0.06~ 0.10		
(mm) 顶厚 Dome Thickness	0.13~0.20		0.13~0.20		0.12~0.19		0.12~0.19		0.11~0.18		0.11~0.18			
(mm) 套合后长度 Joined Length	25.5		24.2		21.5		20.0		17.0		15.0		Allowance±0.05	
(mm) 填充长度 Fill Length	23.3		21.2		19.0		20.0		17.5		15.5		Allowance±0.3	
(mg) 重量 Weight	122±7%		100±8%		79±8%		63±9%		49.5±10%		39±11%			
(ml) 容积 Volume	0.95		0.68		0.50		0.37		0.30		0.21			
Capacity and Capacity	0.5g/cc	573		410		305		224		183		127		
	0.8g/cc	764		548		403		298		243		169		
	1.0g/cc	955		684		506		374		304		212		
	1.2g/cc	1145		820		607		446		364		253		

由于填充药物的不同及填充机类型的不同，胶囊的充填量会受到很大的影响，上表数据仅供参考。

For different filling materials and filling machines, the filling capacity is different for the same type of capsule. The above table is just for your reference.



HUILI CAPSULE CAPSULE INDEX





HUILI
Huil Capsule

浙江汇力胶囊有限公司

地址：浙江省新昌县儒岙工业园区

电话：0575-86780098

传真：0575-86780115

网址：www.hl-jn.com

ZHEJIANG HUILI CAPSULE CO.,LTD

Add: Zhejiang Xinchang Ru'ao Industrial Zone

TEL:0575-86780098

FAX:0575-86780115

WEB:www.hl-jn.com